

MATERIAL
HANDLING

COMMERCIAL TRUCK PROBES



www.tecodryer.com-tecodryers@gmail.com-TEL:+90 322 233 8980

Whatsapp +90 551 152 9361

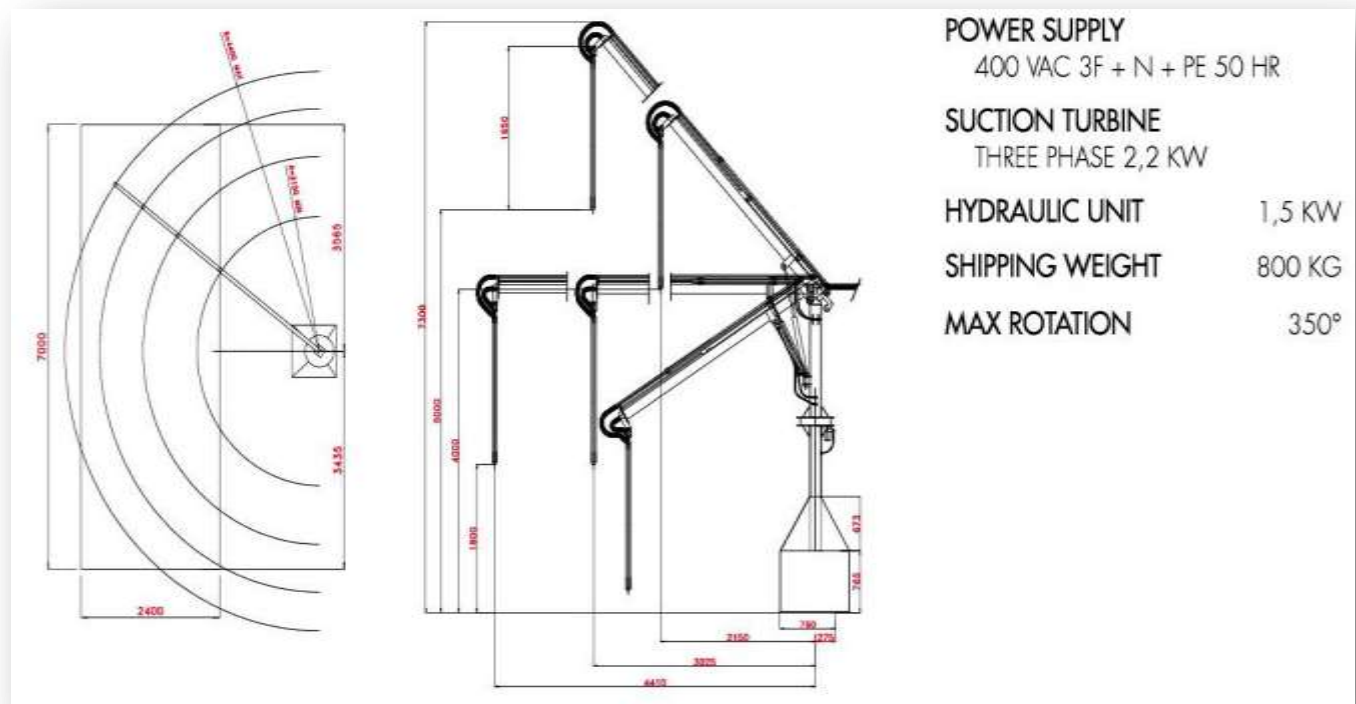
www.tecodryer.com

COMMERCIAL TRUCK PROBES

DESIGNED FOR SEASONAL HIGH TRAFFIC.

Medium-duty model designed for facilities receiving less than 20,000-80,000 metric tons per year with seasonal high traffic

- Main Mast: 20 cm square tube by 1 cm wall, with a height of 3.7 m
- Outer Extension Arm: 10 cm by 7.5 cm tube by .5 cm wall
- Inner Extension Arm: 9 cm by 6 cm tube by .5 cm wall
- Reach: 22 to 32 cm standard reach with custom lengths available
- Pivot Arm: 10 cm square tube by .6 cm wall
- Base Plate: 1.3 x 61 x 61 cm
- Hydraulic Pump: Bosch brand direct drive, 2 kW 19 l/min , 5,998 kPa with a 11.4 L (3 gallon) reservoir. Mounted to the probe mast with a protective cover shield

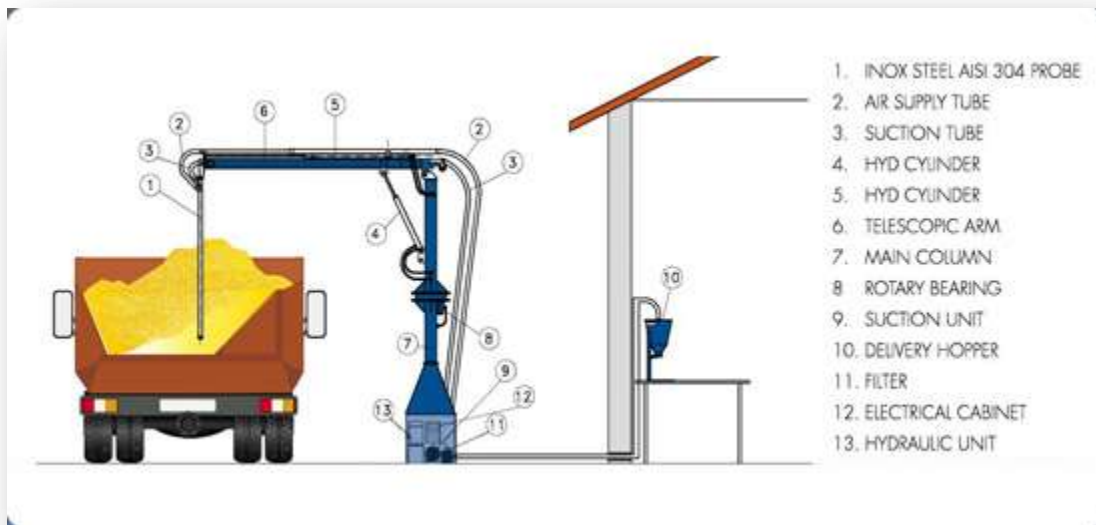


CONTROLS:

Heavy-Duty dual joystick controls rated to 1,000,000 cycles

Light indicator switches • Optional 110V signal buzzer mounted to the mast

Optional traffic lights 20 and 30 cm red / green standard lights. Custom light assemblies available with screen printed lenses indicating designated pits such as PIT 1/PIT 2, North Pit/South Pit, etc.



Steel Elbow - 1.5" 90° steel (not used on core tip model)

Controls - joystick, with separate power and vacuum

switch (optional handheld)

Telescoping Sample Line

Probe Tip - 7' core or compartmentalized (shown), optional 9' on 5 HP

Inner Boom - structural tubing

Hydraulic Cylinder - for extending boom

Outer Boom - structural tubing

Vacuum System - two-stage by-pass tangential vacuum motor with enclosure 104 CFM, 110" water,

120V, 1PH, 13A (other systems available based on conveying distance)

Cylinder Pivots - Ryertex bushings for extended life

Flange Bearings - for anti-friction movement

Pivot Tube Assembly - outer tube

Hydraulic Cylinder - up and down operation

Sample Hose - 1.5" I.D. industrial tubing with smooth interior

wall (some applications may require aluminum tubing)

Low Friction Ryertex bushing - for smooth rotation
 Vacuum Line - connects collection cabinet to vacuum system

Hydraulic Motor - with flow controls and heavy duty chain and sprocket

Collection Cabinet - with filtration screen and heavy duty

door. Allows fast, visual inspection of sample

Base Structure - structural tubing

Hydraulic Hose - reinforced rubber with high pressure steel fittings

Hydraulic Power Unit - factory assembled, wired and

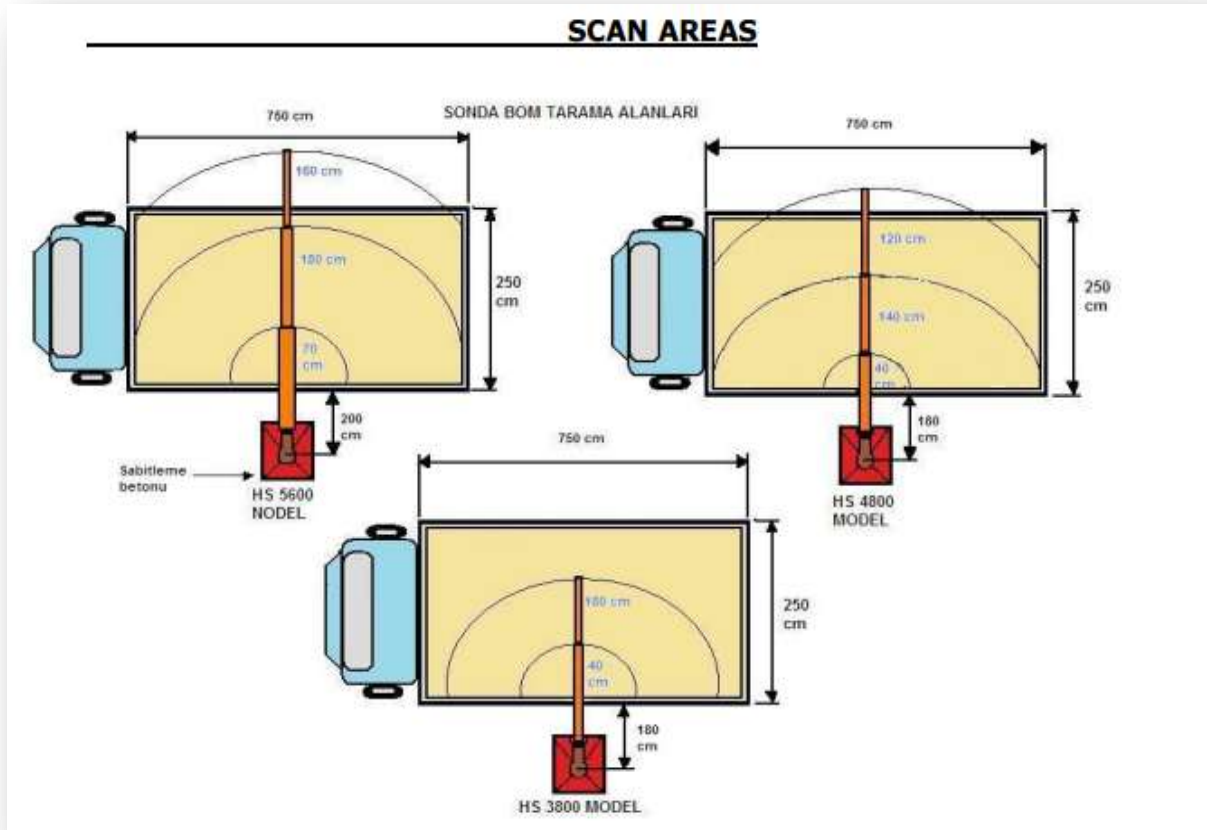
tested complete with valves, 15 gallon reservoir, 5.6 GPM direct pump, motor and hinged access door.

Shipped with oil rated for -40°F.

Base Mounting Plate - reinforced steel plate with gussets

SWIVELING PROBE KNUCKLE:

Our knuckle design allows the stinger to move in any direction if the trucker tries to drive off or the operator hits a tarp bow or chain. Eliminate costs of damaged probe stingers. Convert your existing probe to a dual swiveling probe with a Union Iron retrofit kit.



OPTIONS

PROBE SURVEILLANCE SYSTEMS:

Improve your sampling speed with our camera and monitor system

Avoid bottlenecks at the scale by sampling prior to the scale house

Makes it easy to avoid tarp bows and chains

Color or Black and White systems available

See up to 14 m in complete darkness with our Infrared Camera System Remote

SAMPLING SYSTEMS:

Dual Vacuum Systems are available for long overhead or underground grain transfer systems for your customized truck probe needs



HS 3800 MODEL MAKİNA

EMİŞ PROP İÇ, YAPISI VE HAVA AKIŞI

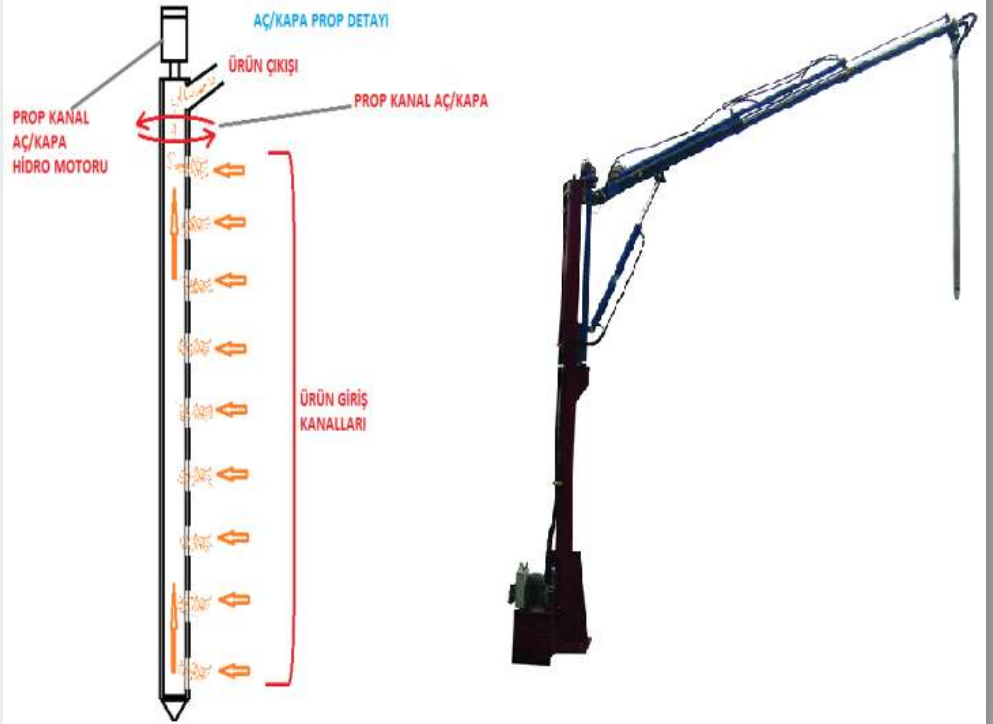
ÜRÜN EMİŞ ÇIKIŞI

ÜRÜN EMİŞ KANALLARI

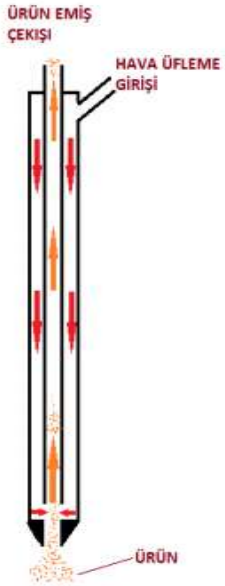




HS 5600 MODEL



HS 4800 MODEL



DEALER PRICE LIST 2017			
MODEL			
HS 3800		7.600 \$	
		7.600 \$	
HS 4800		8.400 \$	
		8.400 \$	
HS 5600		9.360 \$	
		9.360 \$	